

# EUROMOLD®

INTERFACE C  
MEDIUM VOLTAGE COMPACT  
SEPARABLE CONNECTORS

CATALOGUE 2024







# COMPANY PRESENTATION



## EUROMOLD

Euromold is the leading European specialised designer, manufacturer and distributor of prefabricated cable accessories for medium voltage energy distribution. Euromold provides a complete range of accessories for underground cables: premoulded EPDM rubber connectors for cables and epoxy bushings for transformers and switchgear, as well as a large range of cold-shrinkable terminations and joints from 12 to 42 kV.

Euromold is also the manufacturer of electrical components for the high voltage accessories of the Nexans group.

## ISO 9001 Certificate

Since 1992, Euromold's commitment to quality is demonstrated by its ISO 9001 certification.

## International standards

All our products meet the International standards like CENELEC HD 629.1, CENELEC EN 50180, IEC 60137, IEC 60502-4... or country specifications. Official certificates, CESI, KEMA, ATEX... prove the conformity of our products. Long duration tests of existing or new products are continuously performed in our test fields.

## Laboratory accreditation

Since June 2000, Euromold's independent ELAB laboratory obtained the BELAC accreditation no.144-TEST conform with the European standards for laboratories ISO 17025 for electrical testing of low and medium voltage cable accessories according to the international standards EN 50393, IEC 60502-4, IEC 61442 and HD 629.



While every care is taken to ensure that the information contained in this publication is correct, no legal responsibility can be accepted for any inaccuracy. Nexans Network Solutions N.V. - Div. Euromold reserves the right to alter or modify the characteristics of its products described in this catalogue as standards and technology evolve.

# COMPACT SEPARABLE CONNECTORS

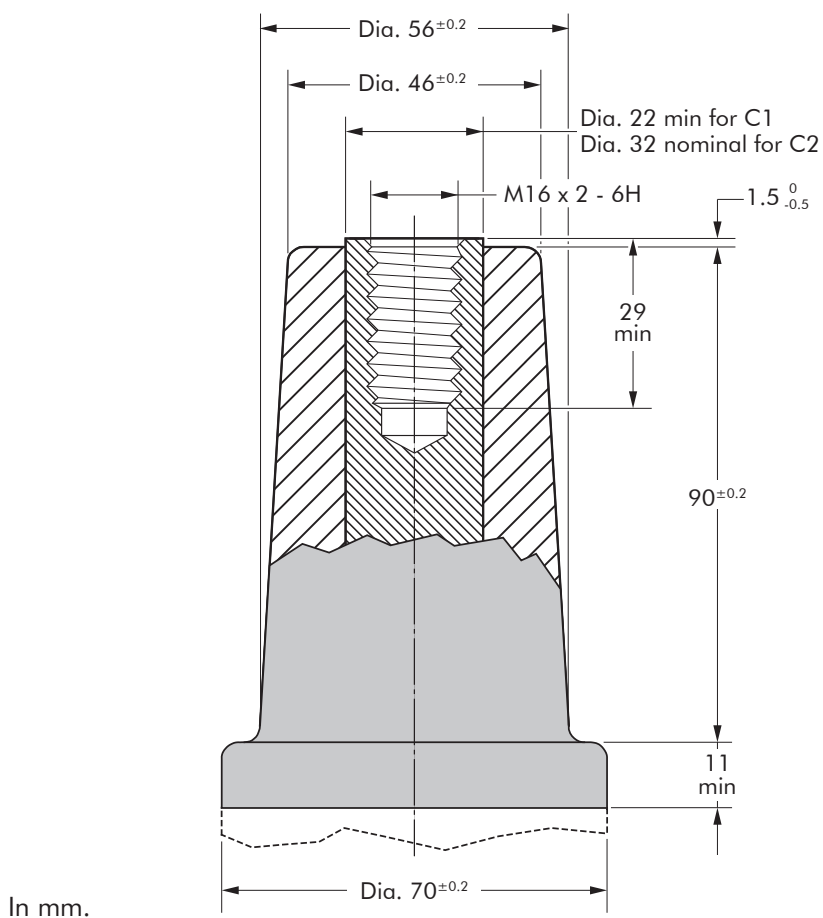
## INTERFACE C

### TABLE OF CONTENTS

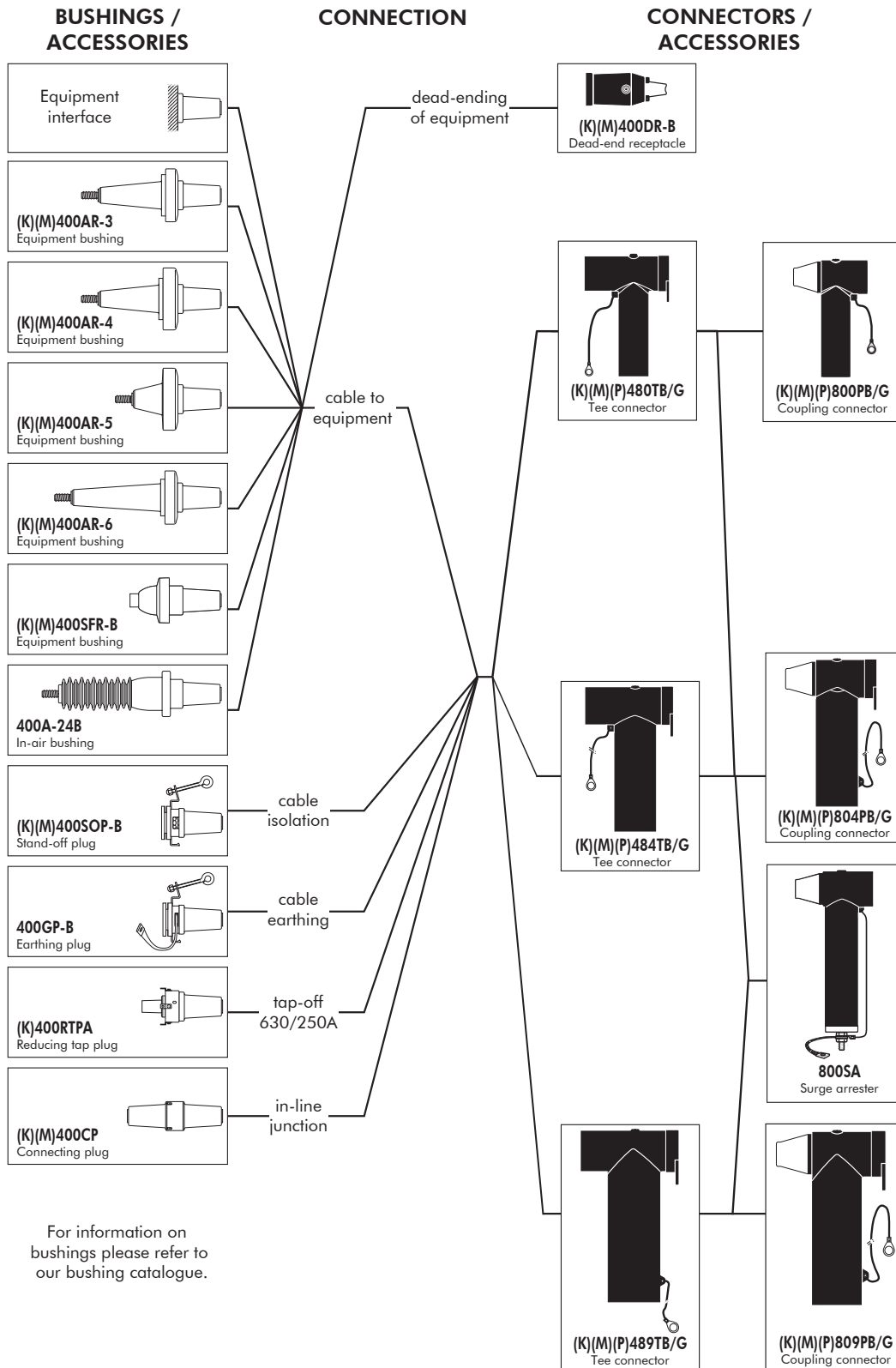
- 480TB - tee connector
- 484TB - tee connector
- 489TB - tee connector
- 800PB - coupling connector
- 804PB - coupling connector
- 809PB - coupling connector
- 800SA - surge arrester
- 800TR - test rod
- T-HSBK - Three core heat-shrink breakout kit
- Accessories
- Possible arrangements

### INTERFACE C1 & C2

Dimensions according to European CENELEC EN 50180 and 50181 (in mm).



# CONNECTING POSSIBILITIES



### APPLICATION

Separable tee shape connector designed to connect polymeric insulated cable to equipment (transformers, switchgear, motors, ...).

Also connects cable to cable when using the appropriate mating parts.

### TECHNICAL CHARACTERISTICS

- A thick conductive EPDM jacket provides a total safe to touch screen.
- Each separable connector is tested for AC withstand and partial discharge prior to leaving the factory.

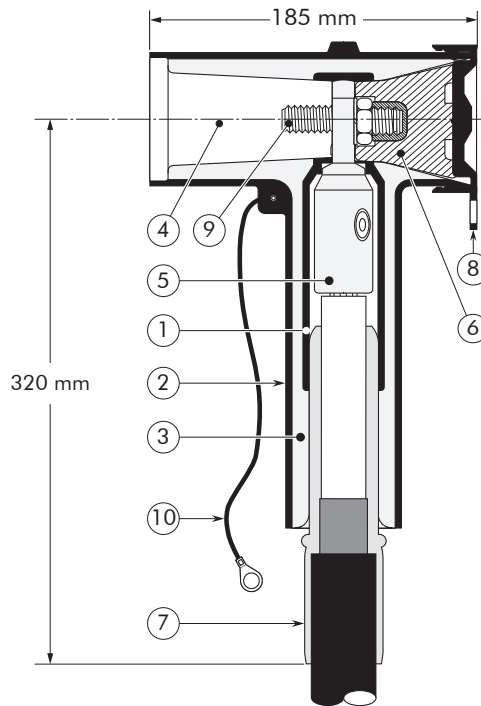


### DESIGN

Separable connector comprising:

1. Conductive EPDM insert.
2. Conductive EPDM jacket.
3. Insulating EPDM layer moulded between the insert and the jacket.
4. Type C interface as described by CENELEC EN 50180 and 50181.
5. Conductor contact.
6. Basic insulating plug.
7. Cable reducer.
8. Conductive rubber cap.
9. Clamping screw.
10. Earthing lead.

The screen break design enables cable outer sheath testing without removing or dismantling the connector.



6/10 (12) kV  
6.35/11 (12) kV  
8.7/15 (17.5) kV  
12/20 (24) kV  
12.7/22 (24) kV  
18/30 (36) kV  
19/33 (36) kV  
20.8/36 (42) kV

**Up to 42 kV**  
**630 A - 1250 A**

**EUROMOLD®**

### SPECIFICATIONS AND STANDARDS

The 480TB separable connector meets the requirements of CENELEC HD 629.1.

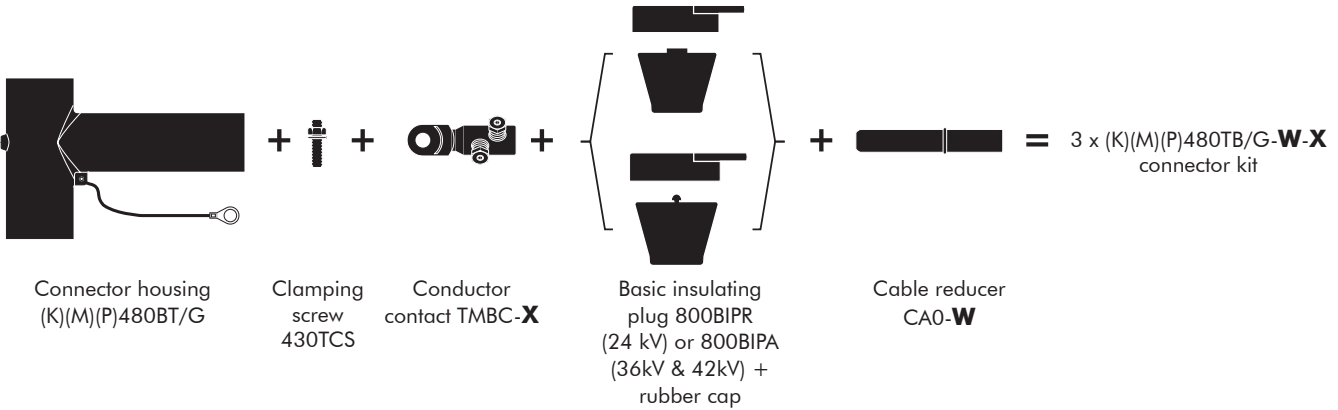
Separable connector type	Voltage $U_m$ (kV)	Current $I_r$ (A) When installed on C1 type bushing	Current $I_r$ (A) When installed on C2 type bushing	Conductor sizes (mm <sup>2</sup> )	
				min	max
480TB/G	12	630	1250	16	300
K480TB/G	24	630	1250	16	300
M480TB/G	36	630	1250	35	240
P480TB/G	42	630	1250	35	240

05/2024

## KIT CONTENTS

The complete (K)(M)(P)480TB/G tee connector kit comprises 3x the following components:

The kit also comprises silicone grease, installation cone, gloves, wipers, roll adhesive tape and installation instructions.



## ORDERING INSTRUCTIONS

To order the correct tee connector kit, select the ordering part number from table W which gives you the best centring of your core insulation diameter and substitute **X** using table X, according to your conductor size and type.

Add a 'K' for use up to 24 kV, add an 'M' for use up to 36 kV, add a 'P' for use up to 42 kV.

### EXAMPLE:

The cable is 24 kV (Um), 185 mm<sup>2</sup> compact stranded copper with a diameter over core insulation of 27.5 mm.

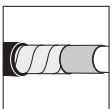
Order 3 x K480TB/G-018-95.300UN5 tee connector kit.

TABLE W

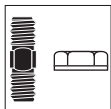
Ordering part number	Dia. over core insulation (mm)	
	min	max
3 x 480TB/G-011-X	12.0	19.0
3 x 480TB/G-015-X	16.0	26.5
3 x 480TB/G-018-X	19.0	32.6
3 x 480TB/G-021-X	22.0	34.6
3 x 480TB/G-027-X	28.5	37.5

TABLE X

Conductor sizes (mm <sup>2</sup> )	Aluminium and copper conductor	
	Bolted	
16	16.95UN5	
25		
35		
50		
70		
95	95.300UN5	
120		
150		
185		
240		
300		



For use with copper tape screened cables.  
Order: Kit MT.



This product can also be installed using a stud & flange nut. Please contact our representative.



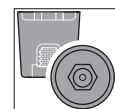
For applications outdoors and in humid climate.  
Order: +MWS.



For use in potentially explosive atmospheres (for 12 kV max).  
Order: ATEX-IECEx



For use on vessels classed by DNV GL. Add -/DNV GL to part number



K480TB (24kV version) can also be installed using a 800BIPA (with VD point)  
Order: /VD

### APPLICATION

Separable tee shape connector designed to connect polymeric insulated cable to equipment (transformers, switchgear, motors, ...).

Also connects cable to cable when using the appropriate mating parts.

### DESIGN

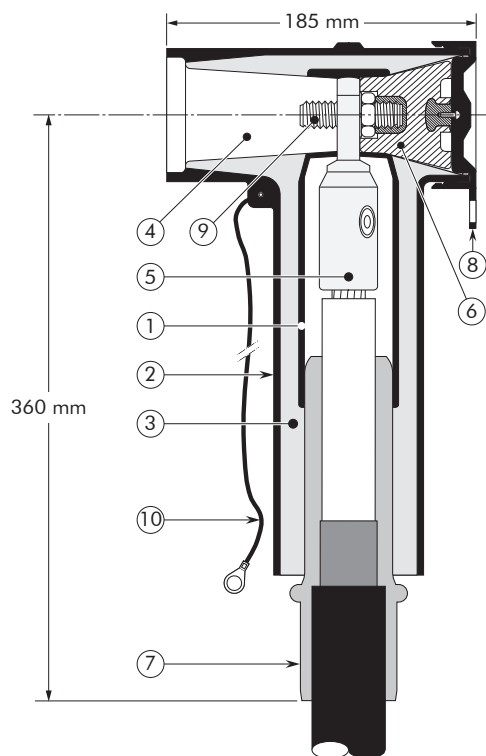
Separable connector comprising:

1. Conductive EPDM insert.
2. Conductive EPDM jacket.
3. Insulating EPDM layer moulded between the insert and the jacket.
4. Type C interface as described by CENELEC EN 50180 and 50181.
5. Conductor contact.
6. Basic insulating plug (with VD point).
7. Cable reducer.
8. Conductive rubber cap.
9. stud & flange nut.
10. Earthing lead.

The screen break design enables cable outer sheath testing without removing or dismantling the connector.

### TECHNICAL CHARACTERISTICS

- The thick conductive EPDM jacket provides a total safe to touch screen which ensures safety for personnel.
- Each separable connector is tested for AC withstand and partial discharge prior to leaving the factory.



6/10 (12) kV  
6.35/11 (12) kV  
8.7/15 (17.5) kV  
12/20 (24) kV  
12.7/22 (24) kV  
18/30 (36) kV

Up to 36 kV  
630 A - 1250 A

## EUROMOLD®

### SPECIFICATIONS AND STANDARDS

The 484TB separable connector meets the requirements of CENELEC HD 629.1.

Separable connector type	Voltage $U_m$ (kV)	Current $I_r$ (A)	Conductor sizes (mm <sup>2</sup> )	
			min	max
484TB/G	12	1250	240	630
K484TB/G	24	1250	240	630
M484TB/G	36	1250	240	630

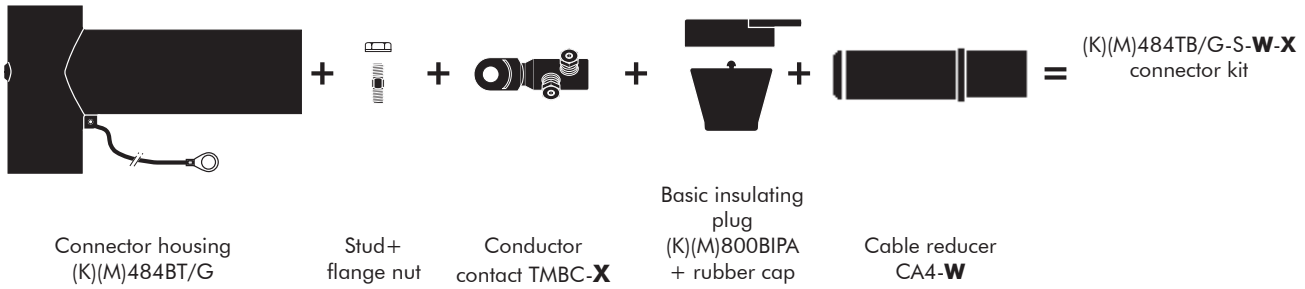
05/2024



## KIT CONTENTS

The complete (K)(M)484TB/G tee connector kit comprises 3x the following components:

The kit also comprises silicone grease, gloves, wipers, roll adhesive tape, installation instructions and crimp chart.



## ORDERING INSTRUCTIONS

To order the correct tee connector kit, select the ordering part number from table W which gives you the best centring of your core insulation diameter and substitute **X** using table X, according to your conductor size and type. Add a 'K' for use up to 24 kV, add an 'M' for use up to 36 kV.

### EXAMPLE:

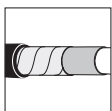
The copper wire screened cable is 36 kV (Um), 400 mm<sup>2</sup> stranded aluminium with a diameter over core insulation of 42.4 mm. Order 3 x M484TB/G-S-4-37-400.630UN5 tee connector kit.

TABLE W

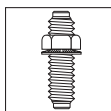
Ordering part number	Dia. over core insulation (mm)	
	min	max
3 x 484TB/G-S-4-22-X	23.5	31.0
3 x 484TB/G-S-4-27-X	28.5	37.5
3 x 484TB/G-S-4-32-X	34.0	42.5
3 x 484TB/G-S-4-37-X	39.0	48.5
3 x 484TB/G-S-4-41-X	43.5	53.0

TABLE X

Conductor sizes (mm <sup>2</sup> )	Aluminium and copper conductor	
	Bolted	
240	185.400UN5	
300		
400		
500		400.630UN5
630		



For use with copper tape screened cables. Order: Kit MT.



This product can also be installed using a clamping screw. Please contact our representative.



For use with other cable types. Please contact our representative.



For applications outdoors and in humid climate. Order: +MWS.



Components can be ordered individually.



For use in potentially explosive atmospheres (for 12 kV max). Order: ATEX-IECEx

# (P)484TB

## INTERFACE C TEE CONNECTOR

### APPLICATION

Separable tee shape connector designed to connect polymeric insulated cable to equipment (transformers, switchgear, motors, ...).

Also connects cable to cable when using the appropriate mating parts.

### TECHNICAL CHARACTERISTICS

- The thick conductive EPDM jacket provides a total safe to touch screen which ensures safety for personnel.
- Each separable connector is tested for AC withstand and partial discharge prior to leaving the factory.

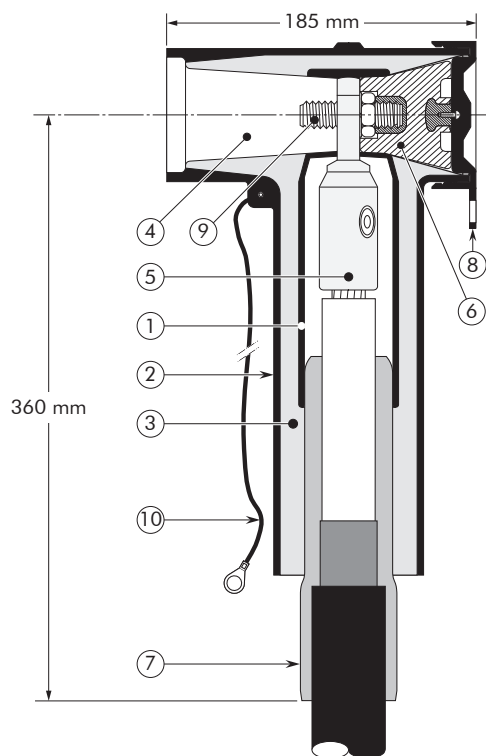


### DESIGN

Separable connector comprising:

1. Conductive EPDM insert.
2. Conductive EPDM jacket.
3. Insulating EPDM layer moulded between the insert and the jacket.
4. Type C interface as described by CENELEC EN 50180 and 50181.
5. Conductor contact.
6. Basic insulating plug (with VD point).
7. Cable reducer.
8. Conductive rubber cap.
9. stud & flange nut.
10. Earthing lead.

The screen break design enables cable outer sheath testing without removing or dismantling the connector.



**20.8/36 (42) kV**

**Up to 42 kV  
630 A - 1250 A**

**EUROMOLD®**

### SPECIFICATIONS AND STANDARDS

The 484TB separable connector meets the requirements of CENELEC HD 629.1.

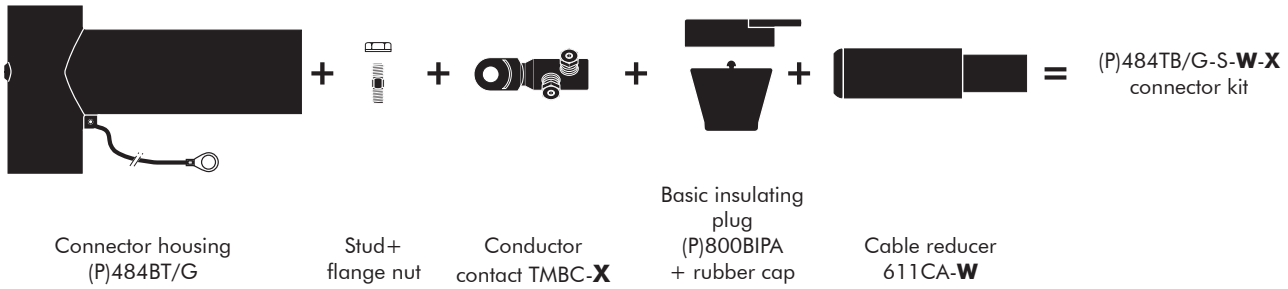
Separable connector type	Voltage $U_m$ (kV)	Current $I_r$ (A)	Conductor sizes (mm <sup>2</sup> )	
			min	max
P484TB/G	42	1250	240	630

05/2024

## KIT CONTENTS

The complete (P)484TB/G tee connector kit comprises 3x the following components:

The kit also comprises silicone grease, field control mastic, gloves, wipers, roll adhesive tape, installation instructions and crimp chart.



## ORDERING INSTRUCTIONS

To order the tee connector, select the ordering part number which gives you the best centring of your core insulation diameter and substitute **X** using table X, according to your conductor size and type. Add a 'P' for use up to 42 kV.

### EXAMPLE:

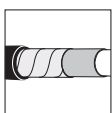
The copper wire screened cable is 42 kV, 400 mm<sup>2</sup> stranded aluminium with a diameter over core insulation of 44.0 mm. Order 3 x P484TB/G-S-4-37-400.630UN5 tee connector kit.

TABLE W

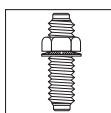
Ordering part number	Dia. over core insulation (mm)	
	min	max
3 x 484TB/G-S-22-X	23.5	31.0
3 x 484TB/G-S-27-X	28.5	37.5
3 x 484TB/G-S-32-X	34.0	42.5
3 x 484TB/G-S-37-X	39.0	48.5
3 x 484TB/G-S-43-X	45.5	56.0

TABLE X

Conductor sizes (mm <sup>2</sup> )	Aluminium and copper conductor	
	Bolted	
240	185.400UN5	
300		
400		
500		400.630UN5
630		



For use with copper tape screened cables. Order: Kit MT.



This product can also be installed using a clamping screw. Please contact our representative.



For use with other cable types. Please contact our representative.



For applications outdoors and in humid climate. Order: +MWS.



Components can be ordered individually.



For use in potentially explosive atmospheres (for 12 kV max). Order: ATEX-IECEx

### APPLICATION

Separable tee shape connector designed to connect polymeric insulated cable to equipment (transformers, switchgear, motors, ...).

Also connects cable to cable when using the appropriate mating parts.

### DESIGN

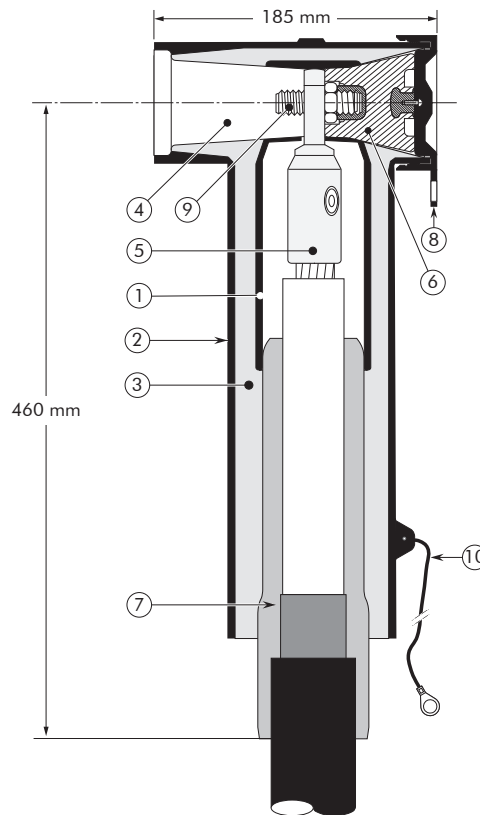
Separable connector comprising:

1. Conductive EPDM insert.
2. Conductive EPDM jacket.
3. Insulating EPDM layer moulded between the insert and the jacket.
4. Type C - interface as described by CENELEC EN 50180 and 50181.
5. Conductor contact.
6. Basic insulating plug (with VD point).
7. Cable reducer.
8. Conductive rubber cap.
9. Stud+flange nut.
10. Earthing lead.

The screen break design enables cable outer sheath testing without removing or dismantling the connector.

### TECHNICAL CHARACTERISTICS

- The thick conductive EPDM jacket provides a total safe to touch screen which ensures safety for personnel.
- Each separable connector is tested for AC withstand and partial discharge prior to leaving the factory.



6/10 (12) kV  
 6.35/11 (12) kV  
 8.7/15 (17.5) kV  
 12/20 (24) kV  
 12.7/22 (24) kV  
 18/30 (36) kV  
 19/33 (36) kV  
 20.8/36 (42) kV

**Up to 42 kV**  
**630 A - 1250 A**

**EUROMOLD®**

### SPECIFICATIONS AND STANDARDS

The 489TB separable connector meets the requirements of CENELEC HD 629.1.

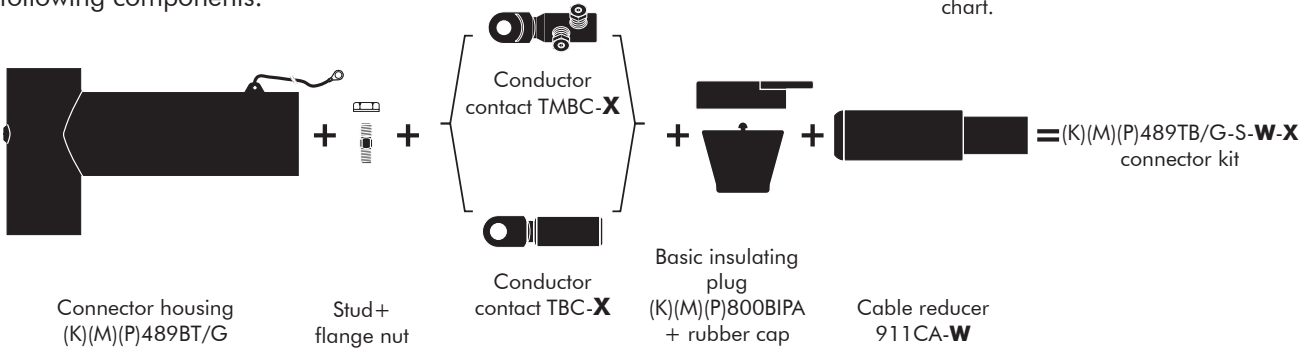
Separable connector type	Voltage $U_m$ (kV)	Current $I_r$ (A)	Conductor sizes (mm <sup>2</sup> )	
			min	max
489TB/G	12	1250	630	1200
K489TB/G	24	1250	630	1200
M489TB/G	36	1250	630	1200
P489TB/G	42	1250	630	1200

05/2024



## KIT CONTENTS

The complete (K)(M)(P)489TB/G tee connector kit comprises 3x the following components:



The kit also comprises silicone grease, field control mastic, gloves, wipers, roll adhesive tape, installation instructions and crimp chart.

## ORDERING INSTRUCTIONS

To order the correct tee connector kit, select the ordering part number from table W which gives you the best centring of your core insulation diameter and substitute **X** using table X, according to your conductor size and type. Add a 'K' for use up to 24 kV, add an 'M' for use up to 36 kV, add a 'P' for use up to 42 kV.

### EXAMPLE:

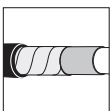
The copper wire screened cable is 36 kV (Um), 1000 mm<sup>2</sup> stranded aluminium with a diameter over core insulation of 52 mm. Order 3 x M489TB/G-S-43-800.1000UN5 tee connector kit.

TABLE W

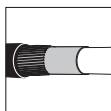
Ordering part number	Dia. over core insulation (mm)	
	min	max
3 x 489TB/G-S-37-X	40	48
3 x 489TB/G-S-43-X	46	54
3 x 489TB/G-S-50-X	53	59
3 x 489TB/G-S-53-X	56	62
3 x 489TB/G-S-56-X	59	65
3 x 489TB/G-S-59-X	62	68

TABLE X

Conductor sizes (mm <sup>2</sup> )	Aluminium conductor	Aluminium and copper conductor	Copper conductor
	Deep indent	Bolted	DIN hexagonal
630	630BI1	<b>400.630UN5</b>	630CU2
800	800BI1	<b>800.1000UN5</b>	800CU2
1000	1000BI1	<b>1200UN5</b>	1000CU2
1200	1200BI1		-



For use with copper tape screened cables. Order: Kit MT.



For use with copper wire screened cables. No earthing device is necessary.



For use with other cable types. Please contact our representative.



For applications outdoors and in humid climate. Order: +MWS.



Components can be ordered individually.



For use in potentially explosive atmospheres (for 12 kV max). Order: ATEX-IECEx

### APPLICATION

Separable coupling connector for dual cable arrangement. It has been designed to be used with 480TB, 484TB and 489TB separable tee connectors. Can also be installed on any 8-series coupling connector for a multiple cable arrangement.

### TECHNICAL CHARACTERISTICS

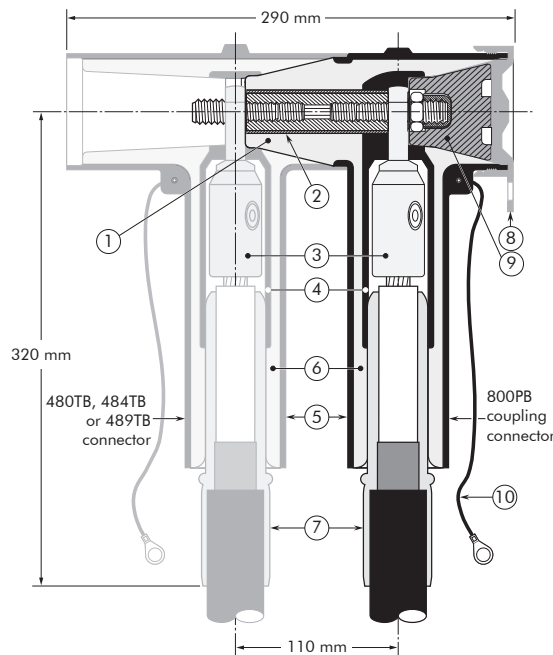
- A thick conductive EPDM jacket provides a total safe to touch screen.
- Each separable connector is tested for AC withstand and partial discharge prior to leaving the factory.



### DESIGN

1. Interface designed to fit 480TB, 484TB and 489TB connectors.
2. Contact rod for 800PB.
3. Conductor contact.
4. Conductive EPDM insert.
5. Conductive EPDM jacket.
6. Insulating EPDM layer moulded between the insert and the jacket.
7. Cable reducer.
8. Conductive EPDM cap.
9. Basic insulating plug.
10. Earthing lead.

The screen break design enables cable outer sheath testing without removing or dismantling the connector.



6/10 (12) kV  
 6.35/11 (12) kV  
 8.7/15 (17.5) kV  
 12/20 (24) kV  
 12.7/22 (24) kV  
 18/30 (36) kV  
 19/33 (36) kV  
 20.8/36 (42) kV

**Up to 42 kV**  
**630A - 1250 A**

## EUROMOLD®

### SPECIFICATIONS AND STANDARDS

The 800PB coupling connector meets the requirements of CENELEC HD 629.1.

Separable connector type	Voltage $U_m$ (kV)	Current $I_r$ (A) When installed on C1 type bushing	Current $I_r$ (A) When installed on C2 type bushing	Conductor sizes (mm <sup>2</sup> )	
				min	max
800PB/G	12	630	1250	16	300
K800PB/G	24	630	1250	16	300
M800PB/G	36	630	1250	35	240
P800PB/G	42	630	1250	35	240

05/2024

## KIT CONTENTS

The complete (K)(M)(P)800PB/G coupling connector kit comprises 3x the following components:

The kit also comprises silicone grease, installation cone, gloves, wipers, roll adhesive tape and installation instructions.



## ORDERING INSTRUCTIONS

To order the correct coupling connector kit, select the ordering part number from table W which gives you the best centring of your core insulation diameter and substitute **X** using table X, according to your conductor size and type. Add a 'K' for use up to 24 kV, add an 'M' for use up to 36 kV, add a 'P' for use up to 42 kV.

TABLE W

Ordering part number	Dia. over core insulation (mm)	
	min	max
3 x 800PB/G-011-X	12.0	19.0
3 x 800PB/G-015-X	16.0	26.5
3 x 800PB/G-018-X	19.0	32.6
3 x 800PB/G-021-X	22.0	34.6
3 x 800PB/G-027-X	28.5	37.5

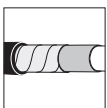
### EXAMPLE:

The cable is 24 kV (Um), 185 mm<sup>2</sup> compact stranded copper with a diameter over core insulation of 27.5 mm.

Order 3 x K800PB/G-018-95.300UN5 coupling connector kit.

TABLE X

Conductor sizes (mm <sup>2</sup> )	Aluminium and copper conductor	
	Bolted	
16	16.95UN5	
25		
35		
50		
70		
95	95.300UN5	
120		
150		
185		
240		
300		



For use with copper tape screened cables.  
Order: Kit MT.



For use with other cable types.  
Please contact our representative.



For outdoor applications.  
Order: +MWS.



For use in potentially explosive atmospheres (for 12 kV max).  
Order: ATEX-IECEx



For use on vessels classified by DNV GL.  
Add -/DNV GL to part number

## APPLICATION

Separable coupling connector for dual cable arrangement. It has been designed to be used with 480TB, 484TB and 489TB separable tee connectors. Can also be installed on any 8-series coupling connector for a multiple cable arrangement.

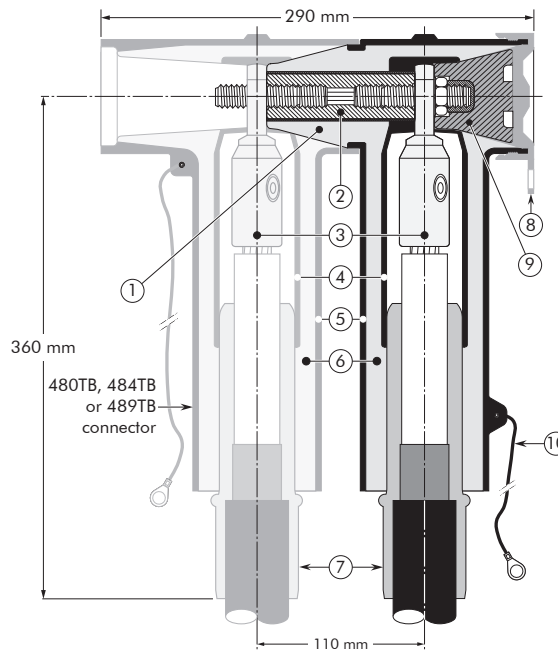
## DESIGN

1. Interface designed to fit 480TB, 484TB and 489TB connector.
2. Contact rod for 804PB.
3. Conductor contact.
4. Conductive EPDM insert.
5. Conductive EPDM jacket.
6. Insulating EPDM layer moulded between the insert and the jacket.
7. Cable reducer.
8. Conductive EPDM cap.
9. Basic insulating plug (with VD point).
10. Earthing lead.

The screen break design enables cable outer sheath testing without removing or dismantling the connector.

## TECHNICAL CHARACTERISTICS

- A thick conductive EPDM jacket provides a total safe to touch screen.
- Each separable connector is tested for AC withstand and partial discharge prior to leaving the factory.



6/10 (12) kV  
6.35/11 (12) kV  
8.7/15 (17.5) kV  
12/20 (24) kV  
12.7/22 (24) kV  
18/30 (36) kV  
19/33 (36) kV  
20.8/36 (42) kV

Up to 42 kV  
1250 A

**EUROMOLD®**

## SPECIFICATIONS AND STANDARDS

The 804PB coupling connector meets the requirements of CENELEC HD 629.1.

Separable connector type	Voltage $U_m$ (kV)	Current $I_r$ (A)	Conductor sizes (mm <sup>2</sup> )	
			min	max
804PB/G	12	1250	240	630
K804PB/G	24	1250	240	630
M804PB/G	36	1250	240	630
P804PB/G	42	1250	240	630

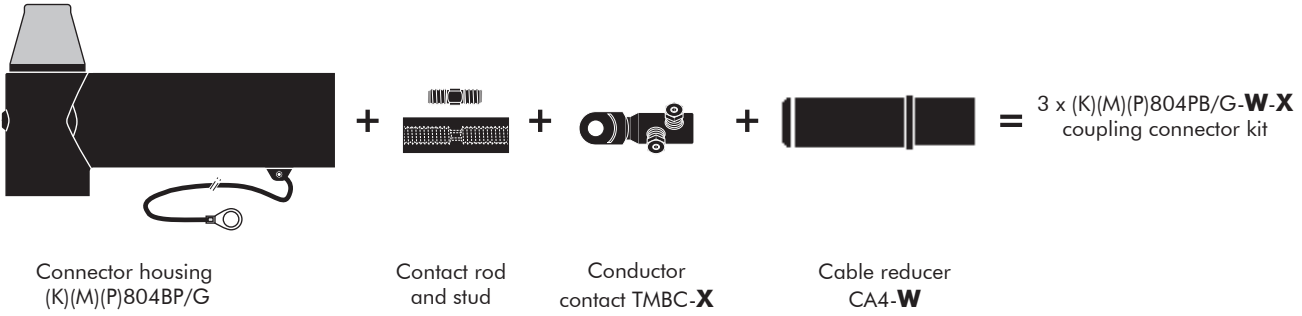
05/2024



## KIT CONTENTS

The complete (K)(M)(P)804PB/G coupling connector kit comprises 3 x the following components:

The kit also comprises silicone grease, gloves, wipers, roll adhesive tape, installation instructions and crimp chart.



## ORDERING INSTRUCTIONS

To order the correct coupling connector kit, select the ordering part number from table W which gives you the best centring of your core insulation diameter and substitute **X** using table X, according to your conductor size and type.

Add a 'K' for use up to 24 kV, add an 'M' for use up to 36 kV, add a 'P' for use up to 42 kV.

### EXAMPLE:

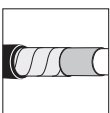
The copper wire screened cable is 36 kV (Um), 400 mm<sup>2</sup> stranded aluminium with a diameter over core insulation of 42.4 mm. Order 3 x M804PB/G-4-37-400.630UN5 coupling connector kit.

TABLE W

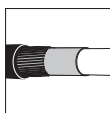
Ordering part number	Dia. over core insulation (mm)	
	min	max
3 x 804PB/G-4-22-X	23.5	31.0
3 x 804PB/G-4-27-X	28.5	37.5
3 x 804PB/G-4-32-X	34.0	42.5
3 x 804PB/G-4-37-X	39.0	48.5
3 x 804PB/G-4-41-X	43.5	56.0

TABLE X

Conductor sizes (mm <sup>2</sup> )	Aluminium and copper conductor	
	Bolted	
240	185.400UN5	
300		
400		
500		400.630UN5
630		



For use with copper tape screened cables. Order: Kit MT.



For use with copper wire screened cables. No earthing device is necessary.



For use with other cable types. Please contact our representative.



For applications outdoors and in humid climate. Order: +MWS.



Components can be ordered individually.



For use in potentially explosive atmospheres (for 12 kV max). Order: ATEX-IECEx

### APPLICATION

Separable coupling connector for dual cable arrangement. It has been designed to be used with 480TB, 484TB and 489TB separable tee connectors. Can also be installed on any 8-series coupling connector for a multiple cable arrangement.

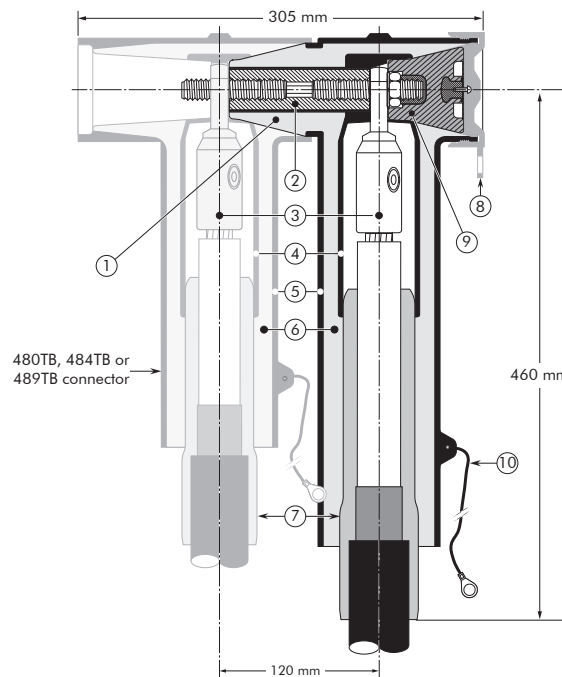
### TECHNICAL CHARACTERISTICS

- A thick conductive EPDM jacket provides a total safe to touch screen.
- Each separable connector is tested for AC withstand and partial discharge prior to leaving the factory.



### DESIGN

1. Interface designed to fit 480TB, 484TB and 489TB connector.
2. Contact rod for 809PB.
3. Conductor contact.
4. Conductive EPDM insert.
5. Conductive EPDM jacket.
6. Insulating EPDM layer moulded between the insert and the jacket.
7. Cable reducer.
8. Conductive EPDM cap.
9. Basic insulating plug (with VD point).
10. Earthing lead.



6/10 (12) kV  
 6.35/11 (12) kV  
 8.7/15 (17.5) kV  
 12/20 (24) kV  
 12.7/22 (24) kV  
 18/30 (36) kV  
 19/33 (36) kV  
 20.8/36 (42) kV

**Up to 42 kV**  
**1250 A**

**EUROMOLD®**

The screen break design enables cable outer sheath testing without removing or dismantling the connector.

### SPECIFICATIONS AND STANDARDS

The 809PB coupling connector meets the requirements of CENELEC HD 629.1.

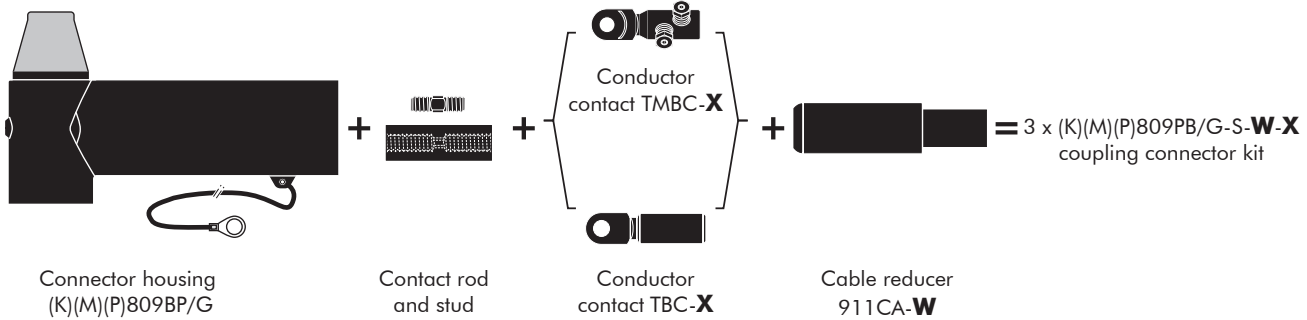
Separable connector type	Voltage Um (kV)	Current Ir (A)	Conductor sizes (mm <sup>2</sup> )	
			min	max
809PB/G	12	1250	630	1200
K809PB/G	24	1250	630	1200
M809PB/G	36	1250	630	1200
P809PB/G	42	1250	630	1200

05/2024

## KIT CONTENTS

The complete (K)(M)(P)809PB/G coupling connector kit comprises 3x the following components:

The kit also comprises silicone grease, field control mastic, gloves, wipers, roll adhesive tape, installation instructions and crimp chart.



## ORDERING INSTRUCTIONS

To order the correct coupling connector kit, select the ordering part number from table W which gives you the best centring of your core insulation diameter and substitute **X** using table X, according to your conductor size and type.

Add a 'K' for use up to 24 kV, add an 'M' for use up to 36 kV, add a 'P' for use up to 42 kV.

### EXAMPLE:

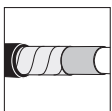
The copper wire screened cable is 36 kV (Um), 1000 mm<sup>2</sup> stranded aluminium with a diameter over core insulation of 52 mm. Order 3 x M809PB/G-S-43-800.1000UN5 coupling connector kit.

TABLE W

Ordering part number	Dia. over core insulation (mm)	
	min	max
3 x 809PB/G-37-X	40	48
3 x 809PB/G-43-X	46	54
3 x 809PB/G-50-X	53	59
3 x 809PB/G-53-X	56	62
3 x 809PB/G-56-X	59	65
3 x 809PB/G-59-X	62	68

TABLE X

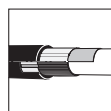
Conductor sizes (mm <sup>2</sup> )	Aluminium conductor	Aluminium and copper conductor	Copper conductor
	Deep indent	Bolted	DIN hexagonal
630	630BI1	<b>400.630UN5</b>	630CU2
800	800BI1	<b>800.1000UN5</b>	800CU2
1000	1000BI1		1000CU2
1200	1200BI1	<b>1200UN5</b>	-



For use with copper tape screened cables. Order: Kit MT.



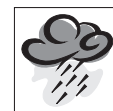
For use in potentially explosive atmospheres (for 12 kV max). Order: ATEX-IECEx



For use with AluPe or C 33-226 cables. Please contact our representative.



For use with other cable types. Please contact our representative.



For applications outdoors and in humid climate. Order: +MWS.



Components can be ordered individually.

## APPLICATION

Surge arrester designed to protect 12, 24, 36 and 42 kV class components, including transformers, equipment, cable and accessories from high voltage surges resulting from lightning or switching. It has been designed to be used with the 480TB, 484TB and 489TB separable tee connectors.

## DESIGN

Surge arrester comprising:

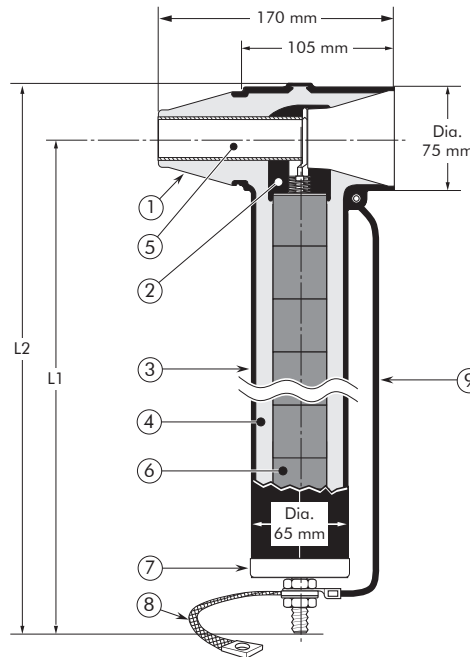
1. Interface designed to fit the 480TB, 484TB and 489TB tee connector.
2. Conductive EPDM insert.
3. Conductive EPDM jacket.
4. Insulating EPDM layer moulded between the insert and the jacket.
5. Receptacle for contact rod.
6. Metal oxide valve elements.
7. Steel cap.
8. Earth connection.
9. Earthing lead.

## SPECIFICATIONS AND STANDARDS

- The 800SA surge arresters meet the test requirements of IEC 60099-4.
- Station class (SL);  $Q_{rs} = 1.0 \text{ As}$
- Energy absorption  $4.0 \text{ kJ/kV}_{Ur}$

## TECHNICAL CHARACTERISTICS

- This surge arrester is a metal oxide varistor surge arrester in an elbow configuration.
- Each arrester is tested for AC withstand, partial discharge and critical voltage prior to leaving the factory.



- 6/10 (12) kV
- 6.35/11 (12) kV
- 8.7/15 (17.5) kV
- 12/20 (24) kV
- 12.7/22 (24) kV
- 18/30 (36) kV
- 19/33 (36) kV
- 20.8/36 (42) kV

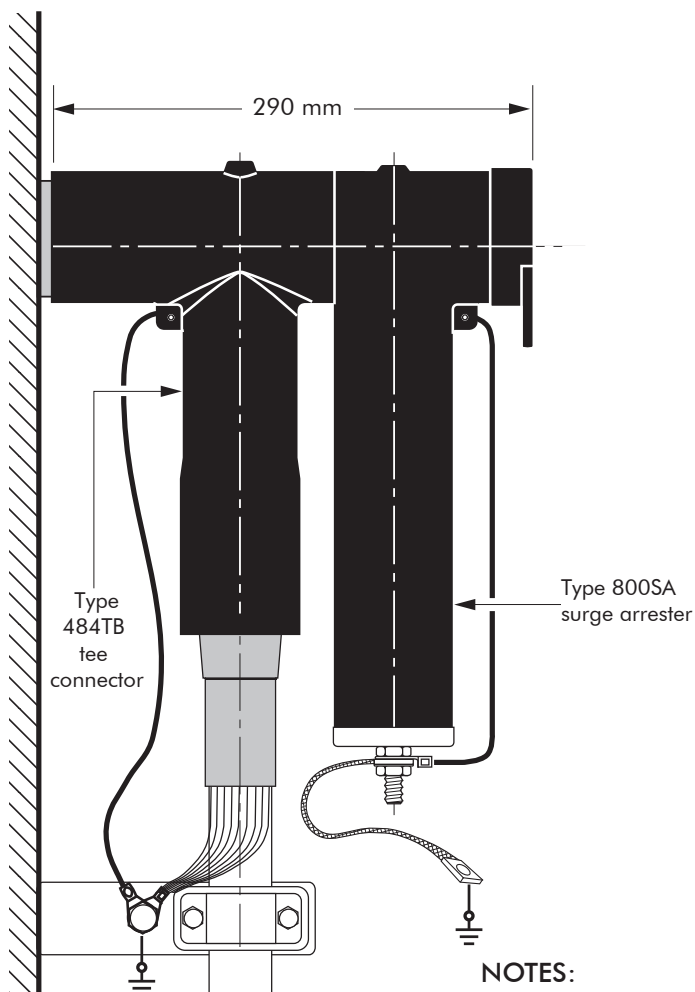
**Up to 42 kV**

**EUROMOLD®**

Surge arrester type	Nominal discharge current $I_n$ (kA)	Rated voltage $U_r$ (kV)	Max. continuous operating voltage $U_c$ (kV)	Dimensions (mm) (indicative)	
				L1	L2
800SA-10-6N	10	6	4.8	270	310
800SA-10-9N	10	9	7.2	270	310
800SA-10-12N	10	12	9.6	270	310
800SA-10-15N	10	15	12	270	310
800SA-10-18N	10	18	14.4	270	310
800SA-10-22N	10	22	17.6	270	310
800SA-10-24N	10	24	19.2	370	410
800SA-10-27.5N	10	27.5	22	370	410
800SA-10-30N	10	30	24	370	410
800SA-10-33N	10	33	26.4	370	410
800SA-10-36N	10	36	28.8	370	410
800SA-10-40N	10	40	32	470	510
800SA-10-42N	10	42	33.6	470	510
800SA-10-45N	10	45	36	470	510
800SA-10-51N	10	51	40.8	470	510



## TYPICAL APPLICATION AND DIMENSIONS



### NOTES:

- The surge arrester body needs to be positioned vertically after installation.
- Prior to cable testing, the surge arrester shall be removed.

## ORDERING INSTRUCTIONS

To order the surge arrester, specify the surge arrester type, as described on previous page.

### EXAMPLE:

For a maximum continuous operating voltage (r.m.s.) of 24 kV and a nominal discharge current of 10 kA.

Order a 800SA-10-30N surge arrester.



For use in potentially explosive atmospheres (for 12 kV max).  
Order: ATEX-IECEx

## TECHNICAL DATA

Surge arrester type	Steep current residual voltage @ 10 kA [1/20 μs] (kV)	Lightning current residual voltage [8/20 μs] (kV)			Switching impulse residual voltage [36/90 μs] (kV)		High current impulse withstand (kA)
		@ 5 kA	@ 10 kA	@ 20 kA	@ 125 A	@ 500 A	
800SA-10-6N	18.5	16,2	17,2	19,3	12,6	13,2	100
800SA-10-9N	26.3	23	24,5	27,5	18,1	19,1	100
800SA-10-12N	36.3	31,5	33,6	37,1	25,1	26,5	100
800SA-10-15N	45.3	39,4	42	46,4	31,4	33,1	100
800SA-10-18N	54.4	47,3	50,4	56,4	37,7	39,7	100
800SA-10-22N	66.5	57,8	61,6	68,1	46	48,5	100
800SA-10-24N	72.5	63	67,2	75,2	50,2	53	100
800SA-10-27.5N	81.6	71	75,6	85	56,5	59,6	100
800SA-10-30N	90.7	78,8	84	94	62,8	66,2	100
800SA-10-33N	99.7	86,7	92,4	102,1	65	68,5	100
800SA-10-36N	108.8	94,5	100,8	112,7	75,3	79,4	100
800SA-10-40N	120.9	105,1	112	123,8	83,7	88,3	100
800SA-10-42N	126.9	110,3	117,6	130	87,9	92,7	100
800SA-10-45N	136	118,2	126	139,3	94,2	99,3	100
800SA-10-51N	154.1	134	142,8	160,4	106,7	112,5	100

### APPLICATION

- The test rod can be used for:
  - cable fault location
  - cable testing
  - phasing checks, etc.
- Connections can be made with a cable lug, a 4 mm plug or spring clips.
- The test rod is not suitable for PD (partial discharge) measurements.

### DESIGN

1. Insulating shroud.
2. Threaded rod for test connection.
3. Two nuts M12.
4. Insulation.
5. Test rod stem.

An insulating shroud is provided to allow the application of test voltages when bushings are closely spaced.

### INSTALLATION

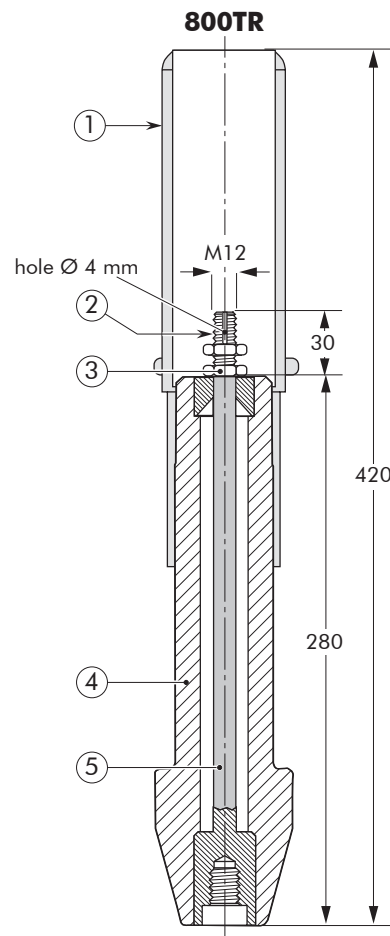
The test rod is mounted on to the clamping screw in the separable tee and coupling connectors. The test cable is connected to the threaded stem and the insulating shroud moved to its final position over the end of the test rod.

### ORDERING INSTRUCTIONS

Simply specify: 800TR.

### TECHNICAL CHARACTERISTICS

- The 800TR test rod can be used with 480TB, 484TB and 489TB connectors and their coupling connectors.



In mm.

Test rod type	Maximum A.C. test voltage ( $2 \times U_0$ - 5 min)	Maximum D.C. test voltage (30 min)	Maximum impulse voltage ( $1.2 \times 50 \mu s$ )	Maximum VLF test voltage ( $3 \times U_0$ - 60 min)
800TR	up to 42 kV	96 kV	95 kV	up to 63 kV

05/2024

## THREE CORE HEAT-SHRINK BREAKOUT KIT



### DESIGN

The three core heat-shrink breakout kit consists of (depending on cable type):  
 a heat-shrinkable breakout,  
 3 sleeves of 500 mm, earth braid and roll springs, hose clamp, water sealing mastic and installation instructions.

### ORDERING INSTRUCTIONS

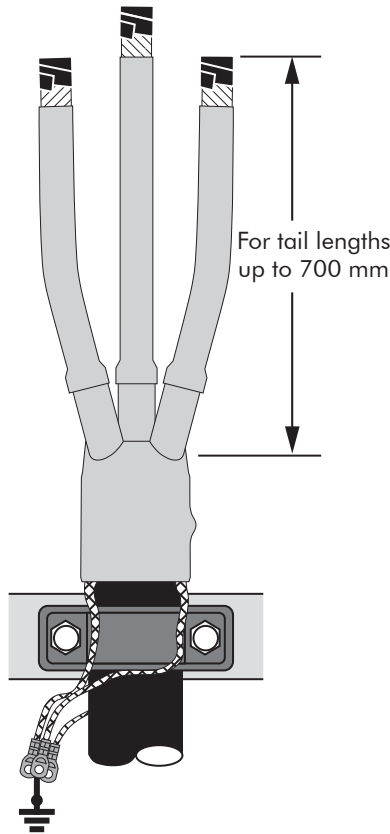
To order the 3-core kit, select the part number, which gives you the best centering over the cable core insulation diameter and substitute **X** using table X, according to your cable type.

### APPLICATION

For sealing of three core polymeric insulated cable crutches and earthing of the metallic screens and armour.  
 For use with Euromold separable connectors with ground lead (/G) or with terminations.

### TECHNICAL CHARACTERISTICS

The installed breakout fullfills the requirements of IP54. The armouring and screen connection systems have short circuit rating (Isc) of up to 5,1 kA for 1s.



Ordering part number	Typical use Conductor sizes (mm <sup>2</sup> )		Diameter over core insula- tion (mm)	Diameter over outer sheath (mm)
	12, 17 & 24 kV	36 & 42 kV		
T-HSBK-20-XY	16-95	-	12-23	50-70
T-HSBK-30-XY	95-240	16-95	19-31	60-80
T-HSBK-40-XY	185-400	95-240	24-35	70-90
T-HSBK-50-XY	-	185-400	32-40	80-100
T-HSBK-60-XY	-	630	40-70	100-120

Table X

Screen type "X"	X	Y	Armour type "Y"
Individual copper tape screen	DR1	K	Unarmoured
Individual copper wire screen	DR2	F	Armoured
Common copper wire screen	DR3		

# ACCESSORIES

## APPLICATION

For use with connectors and bushings with an interface C as described by CENELEC EN 50180 and 50181.

## TECHNICAL CHARACTERISTICS

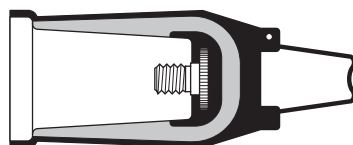
All these products, except the earthing plugs, are tested for AC withstand and partial discharge prior to leaving the factory.

6/10 (12) kV  
6.35/11 (12) kV  
8.7/15 (17.5) kV  
12/20 (24) kV  
12.7/22 (24) kV  
18/30 (36) kV  
19/33 (36) kV  
20.8/36 (42) kV

**Up to 42 kV**

## 400DR-B/G DEAD-END RECEPTACLE

Fits over a bushing with a type C interface to provide 'dead-end' facility. The dead-end receptacle is supplied with an earth lead.

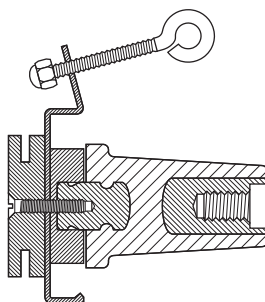


## ORDERING INSTRUCTIONS

Order  
400DR-B/G for 12 kV,  
K400DR-B/G for 24 kV or  
M400DR-B/G for 36 kV  
applications.

## 400SOP-B STAND-OFF PLUG

Is designed to support and 'dead-end' connectors with a type C interface when removed from equipment.

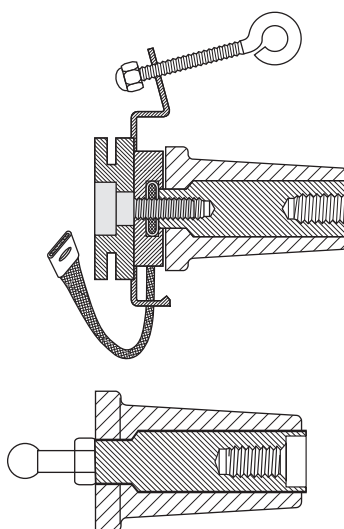


## ORDERING INSTRUCTIONS

Order  
400SOP-B for 12 kV,  
K400SOP-B for 24 kV,  
M400SOP-B for 36 kV or  
P400SOP-B for 42 kV  
applications.

## 400GP-B EARTHING PLUG

Is designed to support and earth connectors with a type C interface when removed from equipment.



## ORDERING INSTRUCTIONS

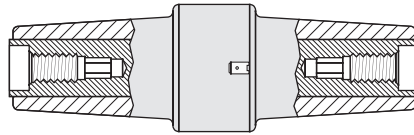
Order  
400GP-B for 12, 24, 36 or  
42 kV applications.

Order  
400GP-SBT for a version with a  
straight ball terminal bolt.

05/2024

## 400CP CONNECTING PLUG

For connecting two or more connectors with a type C interface together, thus creating a separable cable joint or a multiple cable connection to equipment.



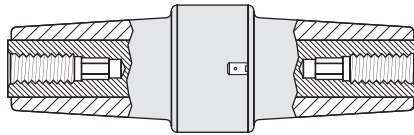
For use up to 630 A.

## ORDERING INSTRUCTIONS

Order  
400CP for 12 kV,  
K400CP for 24 kV or  
M400CP for 36 kV  
applications.

## 440CP CONNECTING PLUG

For connecting two or more connectors with a type C interface together, thus creating a separable cable joint or a multiple cable connection to equipment.



For use up to 1250 A.

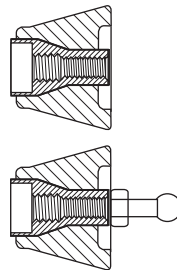
## ORDERING INSTRUCTIONS

Order  
440CP for 12 kV,  
K440CP for 24 kV or  
M440CP for 36 kV  
applications.

Order (K)(M)440CP + 676SA  
stud for connection to an already  
installed connector.

## 800GP-B EARTHING PLUG

Is designed to earth the 480TB, 484TB, 489TB and their coupling connectors when fixed-mounted to the equipment (maintenance earthing).



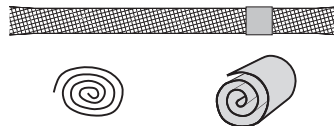
## ORDERING INSTRUCTIONS

Order  
800GP-B for 12, 24, 36 or  
42 kV applications.

Order  
800GP-SBT for a version with a  
straight ball terminal bolt.

## KIT MT EARTHING KIT FOR COPPER TAPE SCREENED CABLES

Contains a finned copper braid (25 mm<sup>2</sup> - L = 500 mm), a tinned copper wire for cleating and some water sealing mastic.



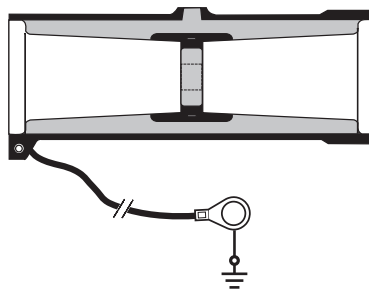
## ORDERING INSTRUCTIONS

Order  
Kit MT for 12 kV, 24 kV,  
36 kV or 42 kV applications.

## 400BE/G BUSHING EXTENDER

Provides an extension piece to allow cables to stand away from equipment.

Is used in conjunction with the 400CP, 440CP or 440PB. The bushing extender is supplied with an earth lead.



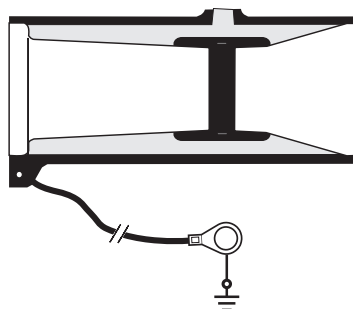
## ORDERING INSTRUCTIONS

Order 400BE/G for 12 kV,  
K400BE/G for 24 kV,  
M400BE/G for 36 kV or  
P400BE/G for 42 kV  
applications.

## 480BE/G BUSHING EXTENDER

Provides an extension piece to allow cables to stand away from equipment.

Is used in conjunction with the 800PB, 804PB or 809PB. The bushing extender is supplied with an earth lead.



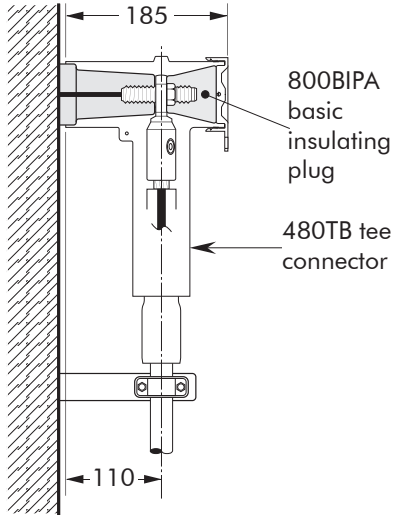
## ORDERING INSTRUCTIONS

Order 480BE/G for 12 kV,  
K480BE/G for 24 kV,  
M480BE/G for 36 kV or  
P480BE/G for 42 kV  
applications.

# POSSIBLE ARRANGEMENTS

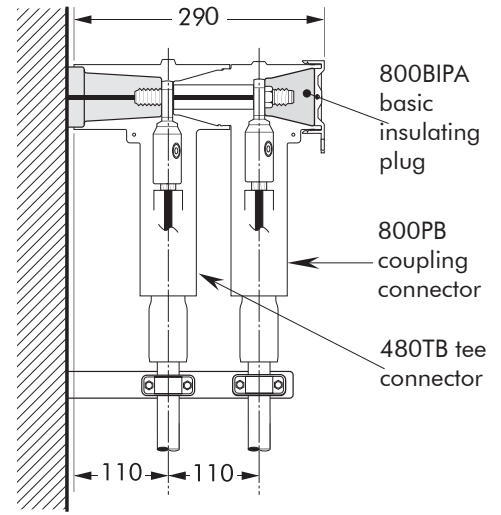
## 480TB

Single cable arrangement.  
Order 480TB for 12 kV,  
K480TB for 24 kV,  
M480TB for 36 kV or  
P480TB for 42 kV applications.



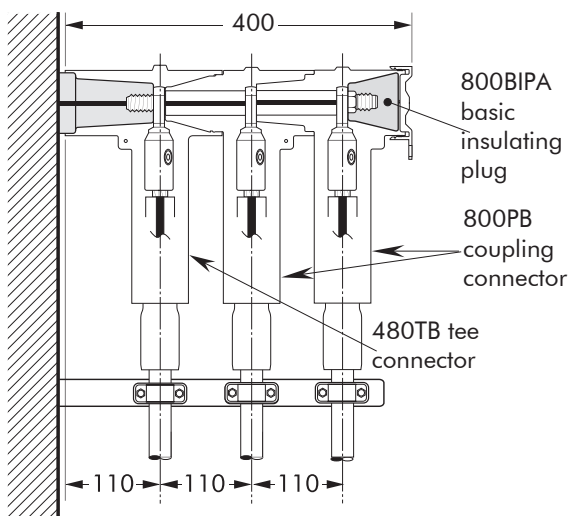
## 480TB-P2

Dual cable arrangement.  
Order 480TB-P2 for 12 kV,  
K480TB-P2 for 24 kV,  
M480TB-P2 for 36 kV or  
P480TB-P2 for 42 kV applications.



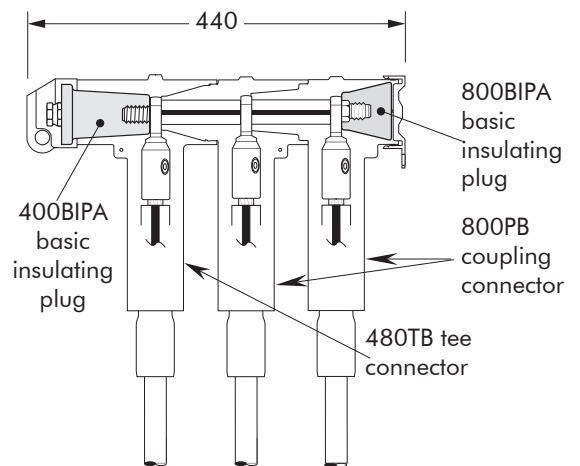
## 480TB-P3

Triple cable arrangement.  
Order 480TB-P3 for 12 kV,  
K480TB-P3 for 24 kV,  
M480TB-P3 for 36 kV or  
P480TB-P3 for 42 kV applications.



## 480TB-L3

3-way connection.  
Order 480TB-L3 for 12 kV,  
K480TB-L3 for 24 kV,  
M480TB-L3 for 36 kV or  
P480TB-L3 for 42 kV applications.



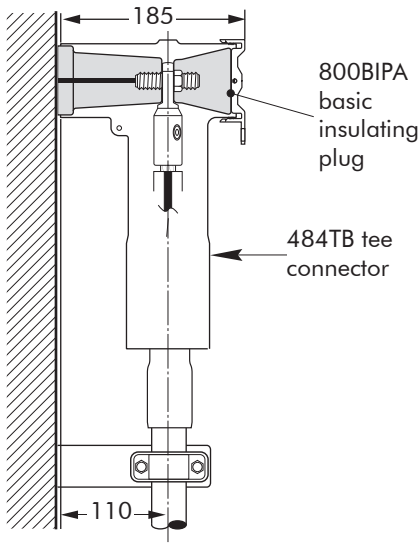
In mm.

05/2024



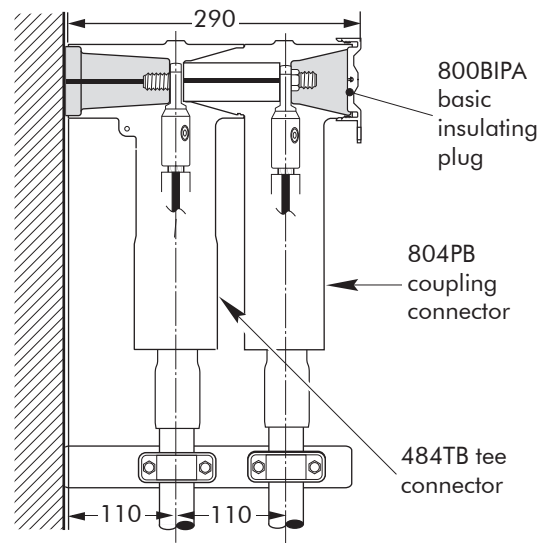
## 484TB

Single cable arrangement.  
Order 484TB for 12 kV,  
K484TB for 24 kV,  
M484TB for 36 kV or  
P484TB for 42 kV applications.



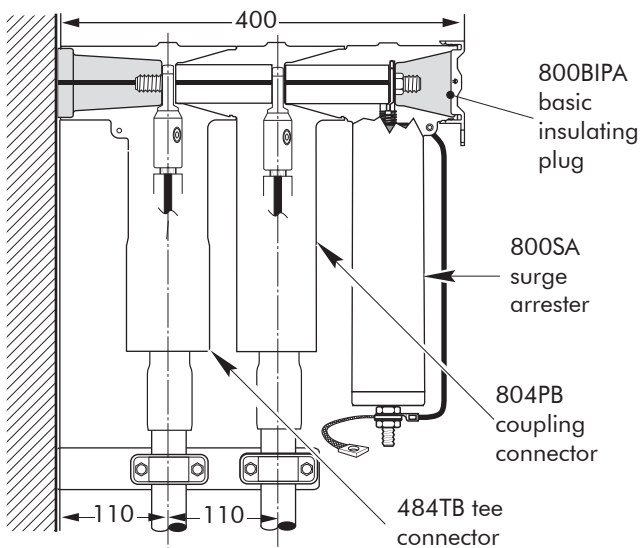
## 484TB-P2

Dual cable arrangement.  
Order 484TB-P2 for 12 kV,  
K484TB-P2 for 24 kV or  
M484TB-P2 for 36 kV or  
P484TB-P2 for 42 kV applications.



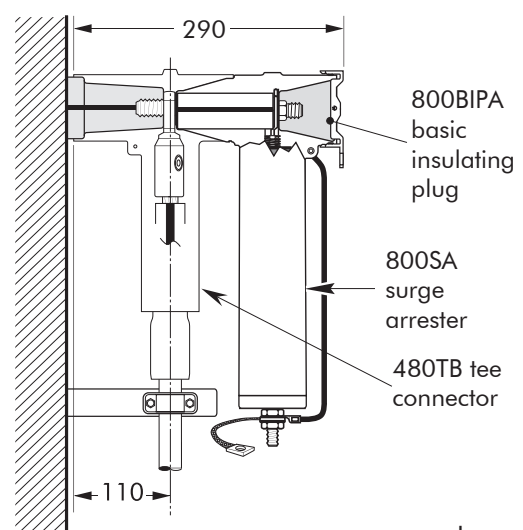
## 484TB-P2+800SA

Dual cable arrangement with  
surge arrester.  
Order 484TB-P2+800SA for  
12 kV, K484TB-P2+800SA for  
24 kV, M484TB-P2+800SA for  
36 kV or P484TB-P2+800SA for  
42 kV applications.



## 480TB+800SA

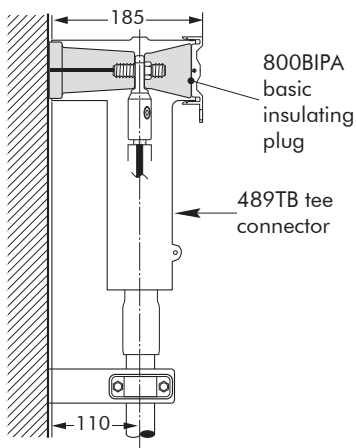
Single cable arrangement with  
surge arrester.  
Order 480TB+800SA for 12 kV,  
K480TB+800SA for 24 kV,  
M480TB+800SA for 36 kV or  
P480TB+800SA for 42 kV  
applications.



In mm.

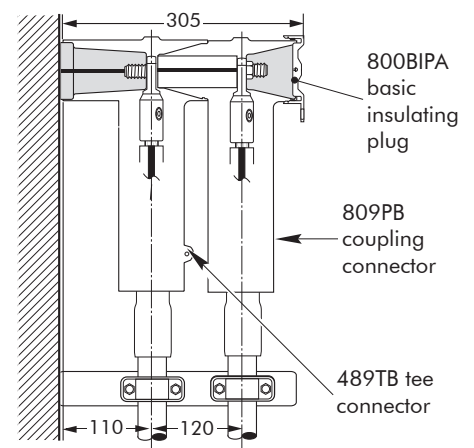
## 489TB

Single cable arrangement.  
Order 489TB for 12 kV,  
K489TB for 24 kV,  
M489TB for 36 kV or  
P489TB for 42 kV applications.



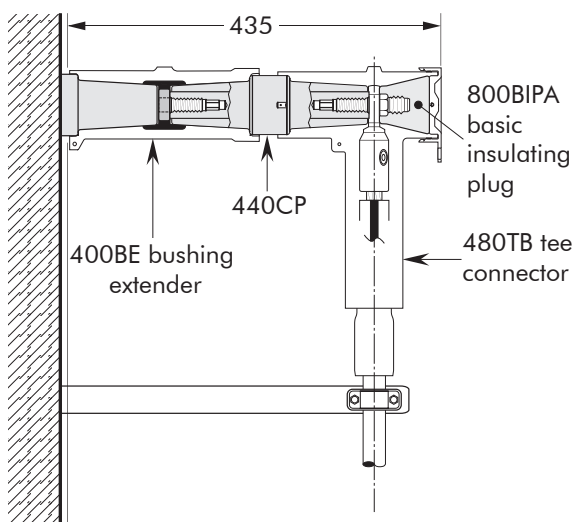
## 489TB-P2

Dual cable arrangement.  
Order 489TB-P2 for 12 kV,  
K489TB-P2 for 24 kV or  
M489TB-P2 for 36 kV or  
P489TB-P2 for 42 kV applications.



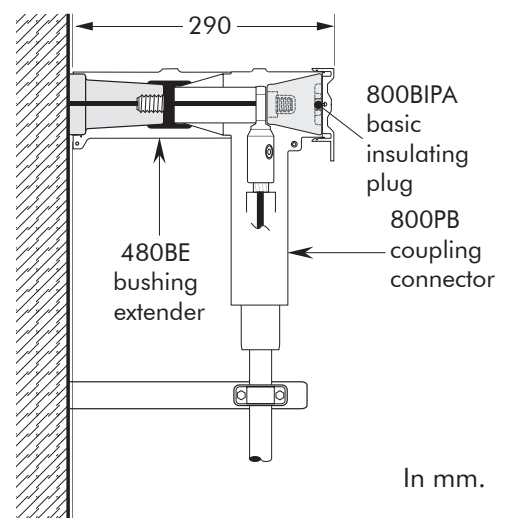
## 400BE+480TB+440CP

Order 400BE+480TB+440CP for 12 kV,  
K400BE+K480TB+K440CP for 24 kV  
or M400BE+M480TB+M440CP for 36 kV  
applications.



## 480BE+800PB

Single cable arrangement.  
Order 480BE+800PB for 12 kV,  
K480BE+K800PB for 24 kV,  
M480BE+M800PB for 36 kV  
or P480BE+P800PB for 42 kV  
applications.

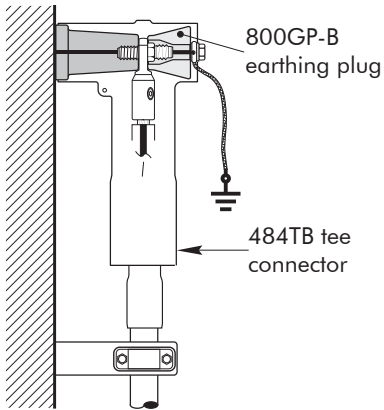


In mm.

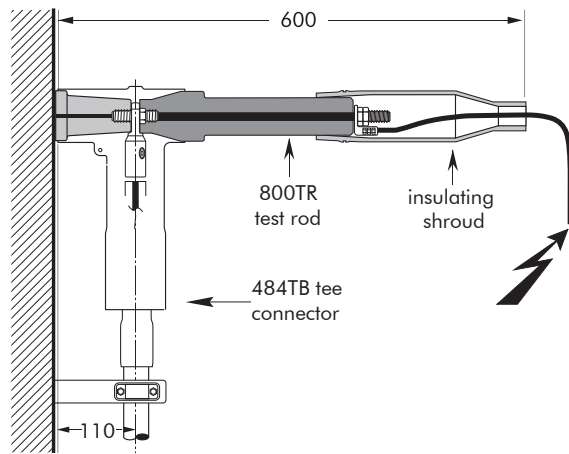
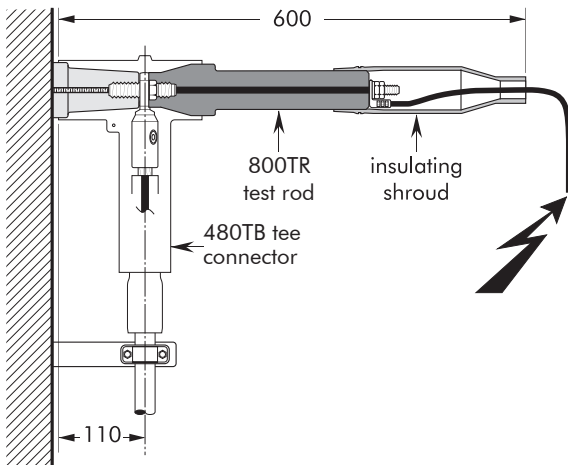
05/2024

## EARTHING PLUG ON CONNECTOR

Order 800GP-B for 12 kV, 24 kV, 36 kV and 42 kV applications.



## CABLE AND EQUIPMENT TESTING



In mm.

# NOTES

---





Nexans Network Solutions N.V. - Div. Euromold  
Zuid III, Industrielaan 12, B-9320 Erembodegem  
Tel.: +32(0)53 85 02 11 • sales.euromold@nexans.com • www.euromold.be

Catalogue also available on Website and Mobile Apps



Find out more about Nexans Power Accessories.